



Models- 9225 – 9235
Commercial Vacuums

Page 2	Product Information
Page 3	Product Dimensions
Page 4	Specifications
Page 5	Important Safety Instructions
Page 5-8	Installation
Page 9	Programming
Page 10	Operating
Page 10	Maintenance
Page 11	Troubleshooting
Page 12-17	Parts List
Page 18-21	Wiring Diagram



PRODUCT INFORMATION

Please take a moment to fill out the information below in order to aid us with any future sales or service inquiries. Model number and serial number information can be found on the serial tag located inside the control box and/or on the lower exterior of the can. Key number can be found on the tag that comes attached to the keys. There may be more than one key number depending on unit.

Please keep this information with your records.

MODEL#: _____

SERIAL#: _____

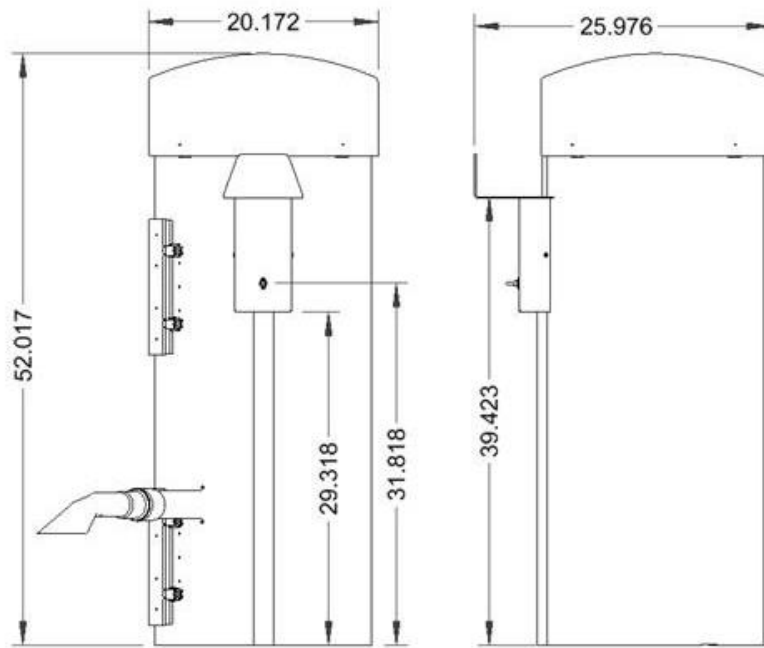
KEY NUMBER(S): _____

DATE PURCHASED: _____

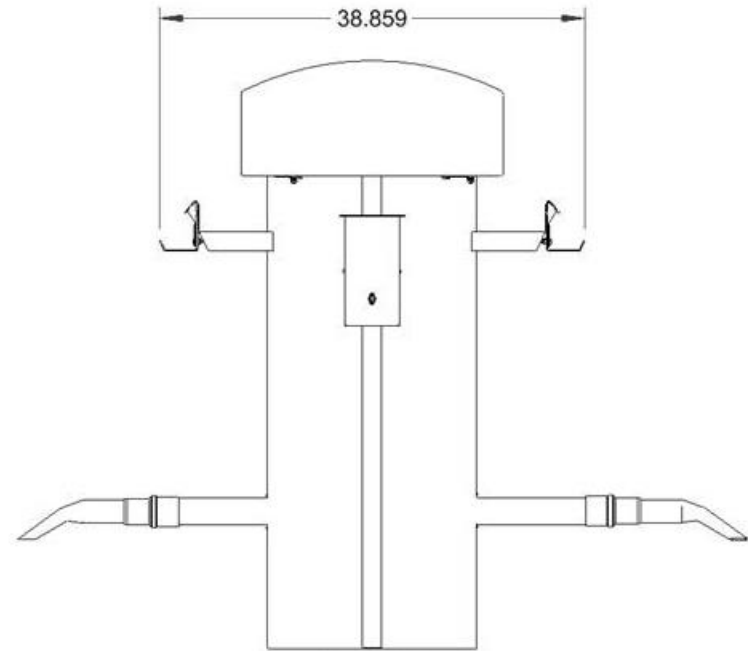
DISTRIBUTOR: _____

**J.E. Adams Industries
1025 63rd Ave. S.W.
Cedar Rapids, IA 52404
1-800-553-8861
www.jeadams.com**

PRODUCT DIMENSIONS



9225



9235-3DH

Specifications

Unit specifications: (9225, 9225-2, 9235, 9235LD)

Voltage: 120vac, 60hz
Amperage: (1) 20 amp service is required for this unit.
Weight: 110-135 lbs with pallet attached.

2 Motor 120V Vacuum Units

Vac specifications:

Motors: (2) 120vac vacuum motors.
Fuses: (2) 10 amp inline fuses.

Unit specifications: (9225-3, 9235-3, 9235-3LD, 9235-3DH, 9235-3DH-WALL)

Voltage: 120vac, 60hz
Amperage: (1) 30 amp service is required for this unit.
Weight: 140 lbs with pallet attached.

3 Motor 120V Vacuum Units

Vac specifications: (9225-3, 9235-3, 9235-3LD, 9235-3DH, 9235-3DH-WALL)

Motors: (3) 120vac vacuum motors.
Fuses: (3) 10 amp inline fuses.

Unit specifications: (9225-220V, 9235-220V, *9235-3-220V, *9235-3DH-220V)

Voltage: 220v, 50hz
Amperage: (1) 15 amp service is required for 2 motor units, *(1) 20 amp service is required for 3 motor units.
Weight: 125-140 lbs with pallet attached.

2 & 3 Motor 220V Vacuum Units

Vac specifications:

Motors: (2) or (3) 220vac vacuum motors depending on model.
Fuses: (2) or (3) 8 amp inline fuses, depending on model.

Duty cycle time 4 minutes on, 4 minutes off.

NOTE: "UNIT INTENDED FOR COMMECIAL USE ONLY"

IMPORTANT SAFETY INSTRUCTIONS

When using an electrical appliance, basic precautions should always be followed, including the following:

READ ALL INSTRUCTIONS BEFORE USING (THIS APPLIANCE)

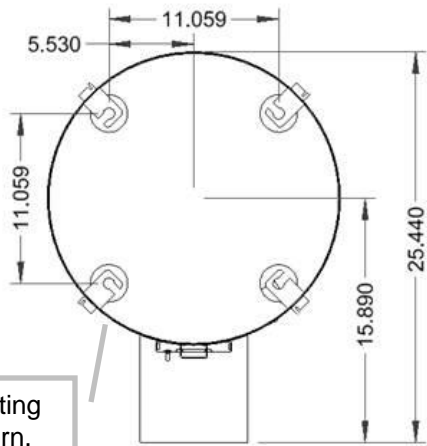
WARNING – To reduce the risk of fire, electric shock, or injury:

- Do not use on wet surfaces.
- Use only as described in manual. Use only manufactures recommended attachments.
- Do not allow to be used as a toy. Close attention is necessary when used by or near children.
- Do not put any object into openings. Do not use with any opening blocked; keep free of dust, lint, hair and anything that may reduce air flow.
- Keep hair, loose clothing, fingers, and all parts of body away from openings and moving parts.
- Do not use to pick up flammable or combustible liquids, such as gasoline, or use in areas where they may be present.
- Do not pick up anything that is burning or smoking, such as cigarettes, matches, or hot ashes.
- Do not use without dust bag and/or filters in place.



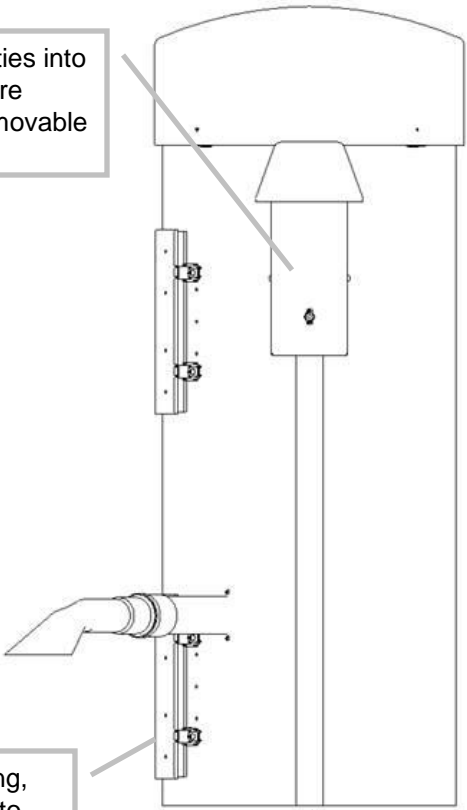
SAVE THESE INSTRUCTIONS

- **Installation Instructions:**
- Determine location to mount unit (“**DANGER**” “**THIS EQUIPMENT INCORPORATES PARTS SUCH AS SWITCHES, MOTORS, OR THE LIKE THAT TEND TO PRODUCE ARCS OR SPARKS THAT CAN CAUSE AN EXPLOSION. WHEN LOCATED IN GASOLINE-DISPENSING AND SERVICE STATIONS INSTALL AND USE AT LEAST 20 FEET (6 M) HORIZONTALLY FROM THE EXTERIOR ENCLOSURE OF ANY DISPENSING PUMP AND AT LEAST 18 INCHES (450 MM) ABOVE A DRIVEWAY OR GROUND LEVEL.**”
- Run electrical service to that location (*NOTE UNIT HAS WIRE PROVIDED UNDERNEATH TO CONNECT INCOMING POWER SUPPLY*)
- **Grounding Instructions:** This appliance must be connected to a grounded metal, permanent wiring system; or an equipment-grounding conductor must be run with the circuit conductors and connected to the equipment-grounding terminal or lead on the appliance.
- **Circuit must be protected by GFCI device.**
- All local and national electric codes must be followed for installation and use.
- Licensed electricians are recommended for installation.

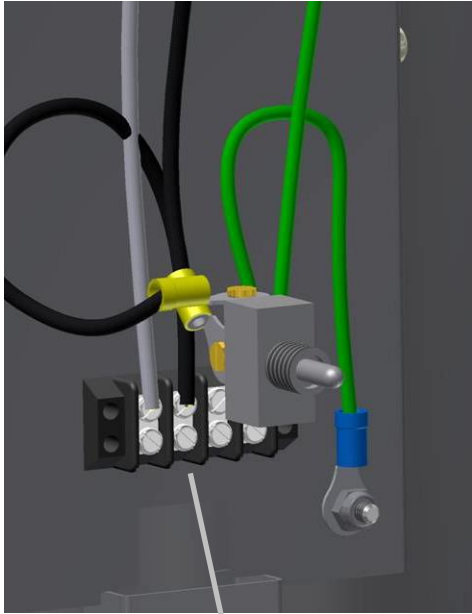


Mounting pattern.

Incoming wire ties into factory wire underneath removable cover.



When mounting, allow access to cleanout doors.

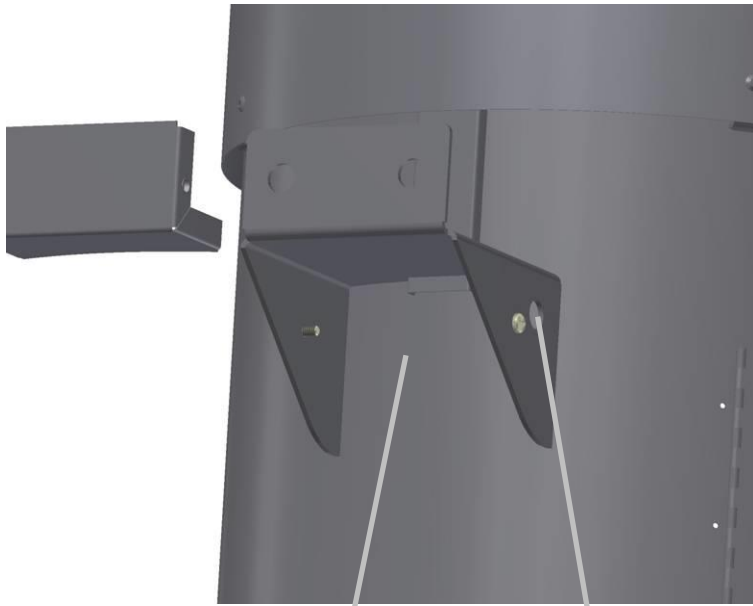


Detailed view: incoming power to terminal strip.

Bring incoming power up through the service channel.

Once unit has been installed use 5871B8 cap plugs (supplied with unit) to seal holes in canister bottom located in lower cleanout door (see illustration on subsequent page). Extra cap plugs are included with the unit in case plug becomes damaged during shipping removal. After cap plugs are installed, then connect unit to power (see below illustration).
 NOTE: when mounting unit, don't forget to allow clearance for clean-out door to swing open.

Floor standing model



Remove cover and tie into factory electrical here. Note: end user must provide on/off switch.

Bring incoming power through this conduit hole.

Drill 4 holes for support brackets, size according to hardware – use 5/8 diameter minimum for hardware.

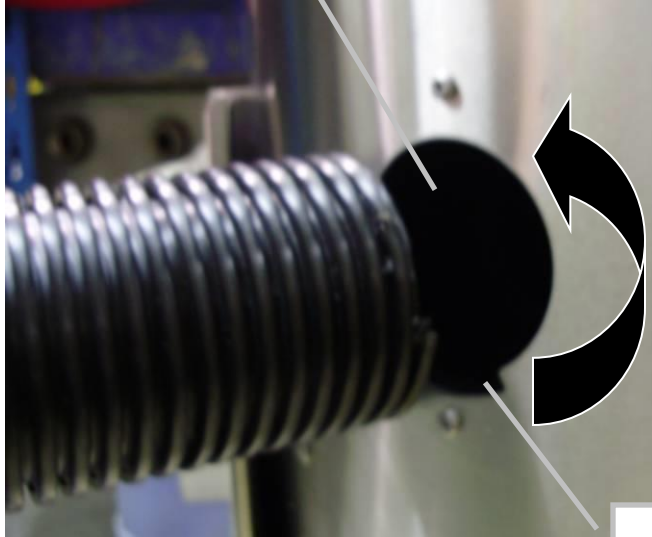


Once unit has been installed use 5871B8 cap plugs (supplied with unit) to seal holes in canister bottom located in lower cleanout door (see illustration on next page). Extra cap plugs are included with the unit in case plug becomes damaged during shipping removal. After cap plugs are installed, then connect unit to power (see below illustration). NOTE: when mounting unit, don't forget to allow clearance for clean-out door to swing open.

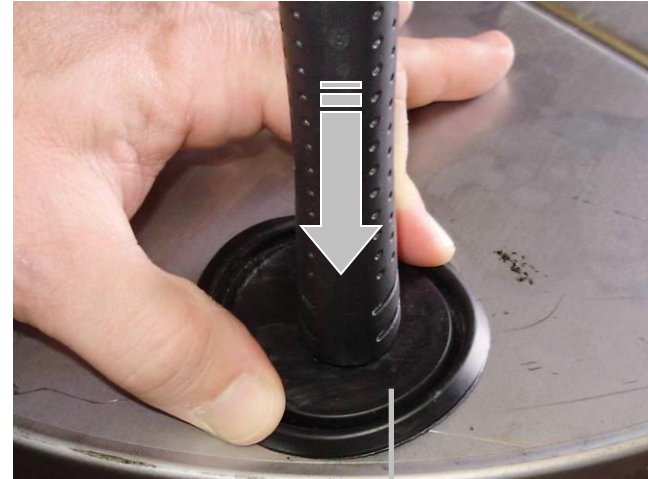
Installation hardware needs to be selected by the end user as installation surfaces vary from concrete, to block, to wood walls. Height to install to is also up to the end user. Use at least two people to lift during installation.

Wall mount model

To attach hose, thread into metal hole counter clockwise.



Edge of hose will need to start here.

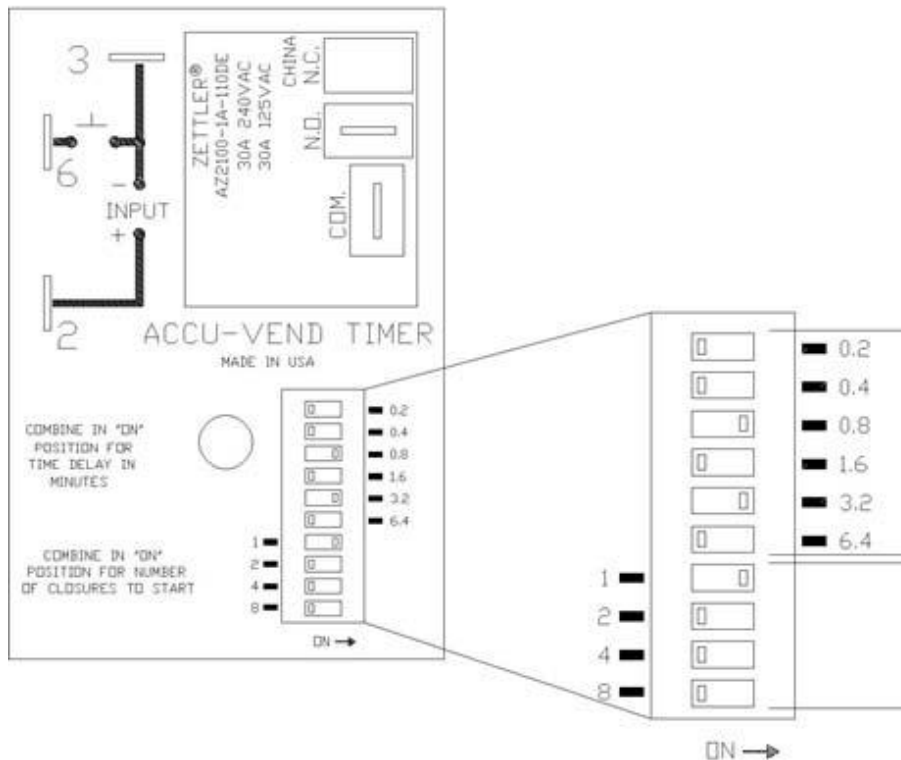


To insert 5871B8 cap plugs into bottom holes, pinch cap plug into place using index finger and thumb. With edges of plug resting against edges of hole, firmly push down on plug with end of hammer or other blunt object until plug snaps into place.

Programming:

JE Adams commercial vacuum models typically come with an "on/off" toggle switch, but are also available with the optional push button kit which incorporates the use of a timer. The below timer pictured is the standard SSAC model that allows the end user to select the "coins to start" and the "total time" by settings series of dip switches. The number of "coins to start" dip switch is how many quarters are needed to make the machine come on. In the below example, the "one coin" dip is selected which makes the unit come on with one coin. The "total time" will then need to be set, but a good rule of thumb would be 4 minutes which requires dip switches 3.2 and .8 to be set to on. This scenario means 1 quarter will provide 4 minutes of vacuum time. The total time can always be changed by adding or subtracting time. If the operator would later decide to increase the cost of the unit to "2" quarters, the 2 dip switch would need to be in the on position (all others off) and the time dip switches would still be 3.2 and .8 dups selected for 4 minutes. Timer is non accumulating so "coins to start" setting is just to make the machine come on time and "time" is total time regardless of coins to start.

NOTE: In the case of a free vend machine that incorporates the use of a push button, COINS TO START is set at 1.



Time in minutes; dip switch settings:

0.2 = 12 seconds

0.4 = 24 seconds

0.8 = 48 seconds

1.6 = 96 seconds

3.2 = 192 seconds

6.4 = 384 seconds

Total time
(non accumulating)

Coins To Start

Operating Instructions:

- Turn toggle switch to on position when machine needs to run, and off position when finished.
- In the case of a push button kit, press push button to activate machine. It will automatically shut off.
- Remove vacuum hose from hanger and vacuum subject accordingly. Do not vacuum wet objects or fine dust (ex – drywall dust).
- Return vacuum hose to hanger when finished.
- In the case of a dual hose model, hose claw must be returned to hanger and set against rubber pad to eliminate leaks in vacuum system. This will allow the opposite hose to have more suction while in use.

Maintenance:

- **All servicing of machine should be conducted by an authorized service representative!**
- Filter bags should be accessed and shaken down weekly. It is recommended to keep a new set of bags on hand so that once every few months the bags can be replaced and then laundered.
- To maintain performance, empty dirt bin from the canister on a regular basis.
- Periodically inspect wires and connections for wear or fatigue.
- Check vac hose for cracks on a weekly basis.
- Clean canister with a stainless steel cleaner as needed. Decals can be cleaned with mild soap and water.
- Check motor brushes approx. every 3 months for excessive wear. Motor brushes should be changed if they are shorter than 3/8". ***Please disconnect power before doing this.***



DISCONNECT POWER BEFORE SERVICING OR TROUBLESHOOTING!



Troubleshooting: !DISCONNECT POWER BEFORE SERVICING OR TROUBLESHOOTING!


Problem	Possible cause	Solution
Unit is not powered.	Breaker inside fuse panel is not in the on position.	Turn breaker on.
	No power to machine.	Check incoming power line voltage.
	Loose connection.	Check incoming power connection.
Machine is behaving erratically.	Is the incoming power at 120V?	Check voltage and monitor while machine runs. Low voltage can cause erratic behavior.
	Are any of the machines wires worn through or connections not making contact?	Inspect wiring and connections. Look for sharp bends in wires and places where wire is against the metal chassis.
Unit keeps tripping breaker.	Inadequate wire size ran to machine.	Call electrician and install proper wire size for electrical service versus length or run.
	Wrong size breaker.	Install correct breaker (only if wire size is adequate to handle breaker).
Fuses for vac motors keep blowing.	Inadequate wire size ran to machine.	Call electrician and install proper wire size for electrical service versus length or run.
	Motor brushes may be bad or too short.	Replace motor brushes.
Lack of vacuum suction.	Vac hose clogged?	Clean debris from vac hose.
	Filter bags need cleaned or dirt chamber needs emptied?	Shake or clean filter bags or replace and empty lower dirt chamber.
	Vac hose is split?	Replace/repair vac hose.
	Cleanout door gaskets torn or worn?	Replace gaskets.
	Vac motor gaskets are worn or motor is not tight against.	Inspect/replace gaskets and assure motor is tight against them.
	Dual vac hose unit, both hoses are being used.	When both hoses are being used, suction will be lower. Double check all 3 motors are working however.
	Lower chamber cap plugs/mounting hole covers have popped out?	Open lower chamber and inspect plugs, order new if needed.
	Cleanout door gaskets torn or worn?	Replace gaskets.
	One of the vac motors is not working?	Check line motor fuse and replace. Replace motor if necessary.

PART NO.	9225
----------	------

BILL OF MATERIALS				BILL OF MATERIALS			
ITEM	PART NUMBER	DESCRIPTION	QTY	ITEM	PART NUMBER	DESCRIPTION	QTY
31	8159	DOOR GASKET	2	1	1000	BIRD SEED, 10LBS	1
32	8183	DECAL, WARNING	2	2	2036	HOSE, 2" X 15' BLACK VACUUM	1
33	8423-2	DECAL, DOME	1	3	2058	CLAW/CUFF ASSEMBLY, 2"	1
34	8427-1	DECAL, CANISTER	1	4	5600D4	3/8-16 X 1.5 HHCS	4
35	8429-1	DECAL, HANG HOSE	1	5	5603D1	10 Std NC Nylock Nut	1
36	8437D001	DECAL, ETL LISTED	1	6	5603D11	1/2 Std NF Nylock Nut	1
37	8505-1	COVER, CONTROL PLATE	1	7	5606D22	WASHER, 3/8 FENDER	8
38	8605	PALLET, VAC, 26" X 30.5"	1	8	5606D7	FLAT WASHER, .160 ID X .500 OD	1
39	8615-5W	CLEANOUT DOOR WELDMENT	2	9	5619D1	SCR, HEX SOC BUT, HD CPCW, 1	4
40	8631	11 X 55 PAD FOR VAC	1	10	5627D2	6-32 x .63 PD, PH, MS	1
41	8673-10	2 MTR COMMERCIAL WIRE HARNESS	1	11	5636D1	#10-24 PHIL. PAN HEAD SCREW	2
42	9226W	CANISTER WELDMENT, 2D, COMMERCIAL	1	12	5639D4	RUBBER GROMMET	1
43	B5722-002	NUT, 3/8-16 UNC HEX LOCK NUT	4	13	5647D2	1/8" SS POP RIVET	16

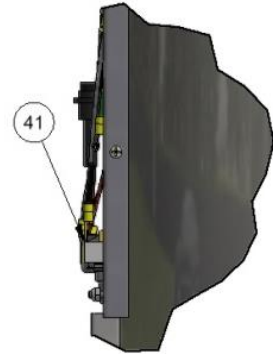
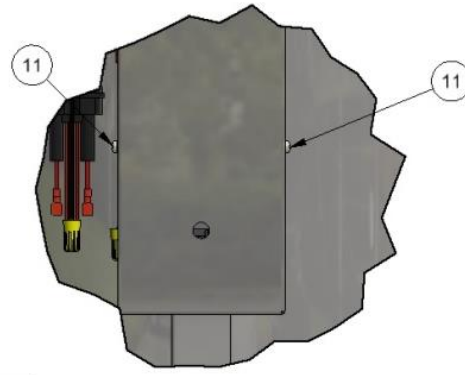
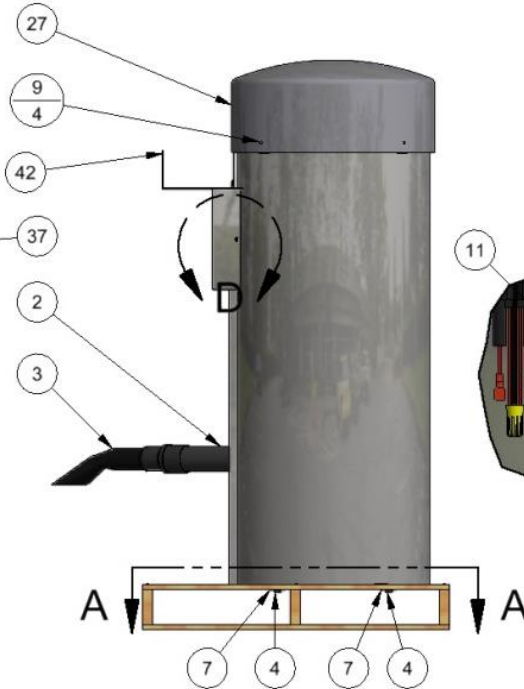
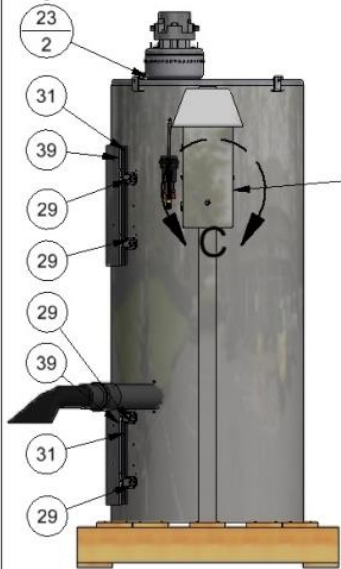
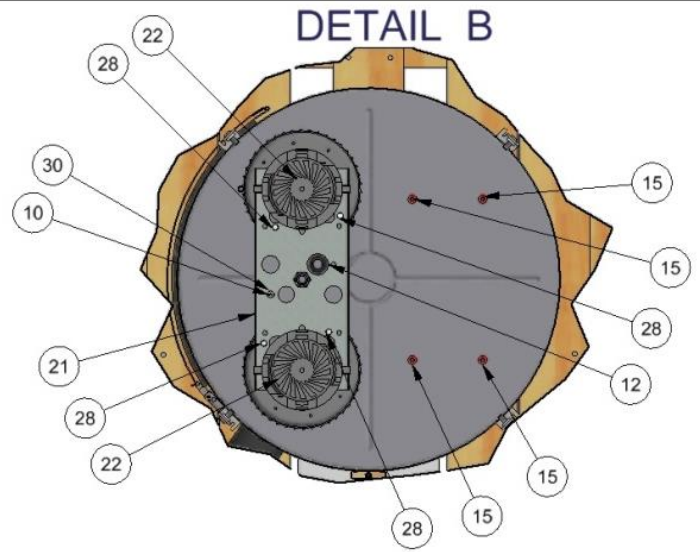
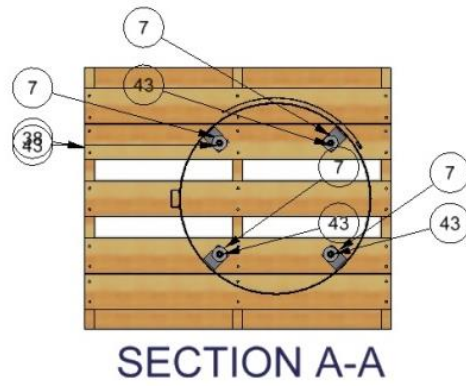
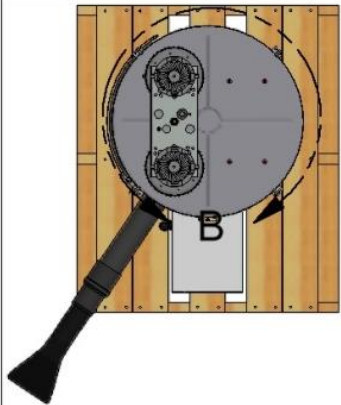


14	5647D8	3/16" SS POP RIVET	14
15	5871B9	PLASTIC VAC LID PLUG	4
16	5871b8	PLUG, VAC BOTTOM 2-1/2"	8
17	5901D1	YELLOW WIRE NUT	2
18	5901D4	ORANGE WIRE NUT	2
19	6082	BAG, 9 X 12	1
20	8047	BAG, 60 X 72	1
21	8051G	BRACKET, MOTOR MOUNT	1
22	8055EM	MOTOR, ELECTRO 120V	2
23	8057	MOTOR GASKET	2
24	8076	FILTER BAG	4
25	8081	CABLE TIE MOUNT	2
26	8084	CABLE TIE	3
27	8101	20" STAINLESS STEEL DOME	1
28	8108	#10 x 1/2 TAP SCREW	4
29	8153-1	LATCH, CLEANOUT DOOR	4
30	8157	NUT, #6-32 KEPP NUT STAINLESS	1

H	7890	REMOVED 8424-1 AND ADDED 8427-1	11-21-16	CK	TITLE	VAC, 2DR, COMMERCIAL				
G	7727	REMOVED 5920, 8055LEAD-EM, 8221WH2, 8828	4-5-16	CK						
F	7151	REMOVED 8630B36	8-29-13	CK	UNSPECIFIED TOLERANCES	MATERIAL	CEDAR RAPIDS, IOWA			
E	6472	REVISED AND REDRAWN TO INVENTOR FROM AUTOCAD	4-26-11	CK		SCALE				
REV	NO.	DESCRIPTION	DATE	BY		DRAWN BY			CHAD K.	
THIS DOCUMENT SHALL NOT BE REPRODUCED NOR SHALL THE INFORMATION THEREIN BE USED BY OR DISCLOSED TO OTHERS EXCEPT AS AUTHORIZED BY J.E. ADAMS INDUSTRIES					DATE	4/26/2011	PART NO.	9225	REV.	H

PART NO.

9225



DETAIL C

DETAIL D


TITLE		VAC, 2DR, COMMERCIAL		
UNSPECIFIED TOLERANCES	MATERIAL	CEDAR RAPIDS, IOWA		
1 PL ±.030	SCALE			
2 PL ±.010	DRAWN BY			CHAD K.
3 PL ±.003	DATE			4/26/2011
ANGLE ±1.0°		PART NO.	9225	
		REV.	H	

REV	NO.	DESCRIPTION	DATE	BY
THIS DOCUMENT SHALL NOT BE REPRODUCED NOR SHALL THE INFORMATION THEREIN BE USED BY OR DISCLOSED TO OTHERS EXCEPT AS AUTHORIZED BY J.E. ADAMS INDUSTRIES				

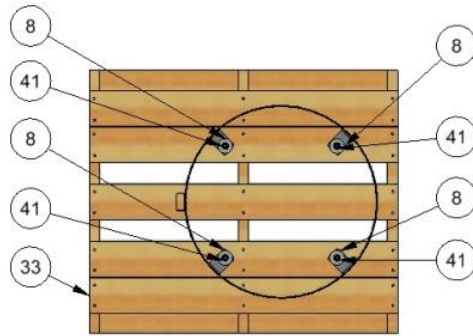
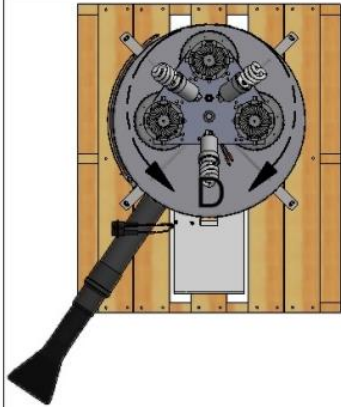
PART NO. 9235-3LD

BILL OF MATERIALS				BILL OF MATERIALS			
ITEM	PART NUMBER	DESCRIPTION	QTY	ITEM	PART NUMBER	DESCRIPTION	QTY
32	8543K-3	3 MOTOR LIGHT KIT	1	1	1000	BIRD SEED, 10LBS	1
33	8605	PALLET, VAC, 26" X 30.5"	1	2	2036	HOSE, 2" X 15' BLACK VACUUM	1
34	8615-5W	CLEANOUT DOOR WELDMENT	2	3	2058	CLAW/CUFF ASSEMBLY, 2"	1
35	8631	11 X 55 PAD FOR VAC	1	4	5600D4	3/8-16 X 1.5 HHCS	4
36	8673-10-3	3 MTR COMMERCIAL WIRE HARNESS	1	5	5601D13	SCR,1/4-20x1/2 PPHSqConeStepZP	4
37	8732	NAMEPLATE, PRODUCT SPEC'S	1	6	5603D1	10 Std NC Nylock Nut	1
38	8754	WARNING DECAL	1	7	5603D11	1/2 Std NF Nylock Nut	1
39	8925	FLOURESCENT BULB	3	8	5606D22	WASHER, 3/8 FENDER	8
40	9236-3W	CANISTER WELDMENT, 2D, 3 MTR COMMERCIAL	1	9	5606D7	FLAT WASHER, .160 ID X .500 OD	1
41	B5722-002	NUT, 3/8-16 UNC HEX LOCK NUT	4	10	5627D2	6-32 x .63 PD, PH, MS	1
				11	5636D1	#10-24 PHIL. PAN HEAD SCREW	2
				12	5647D2	1/8" SS POP RIVET	16
				13	5647D8	3/16" SS POP RIVET	14
				14	5871b8	PLUG, VAC BOTTOM 2-1/2"	8
				15	6082	BAG, 9 X 12	1
				16	8047	BAG, 60 X 72	1
				17	8055EM	MOTOR, ELECTRO 120V	3
				18	8057	MOTOR GASKET	3
				19	8076	FILTER BAG	4
				20	8081	CABLE TIE MOUNT	2
				21	8084	CABLE TIE	3
				22	8108	#10 x 1/2 TAP SCREW	6
				23	8153-1	LATCH, CLEANOUT DOOR	4
				24	8157	NUT, #6-32 KEPP NUT STAINLESS	1
				25	8159	DOOR GASKET	2
				26	8183	DECAL, WARNING	2
				27	8306	24" PLASTIC DOME	1
				28	8427-1	DECAL, CANISTER	1
				29	8429-1	DECAL, HANG HOSE	1
				30	8437D001	DECAL, ETL LISTED	1
				31	8505-1	COVER, CONTROL PLATE	1

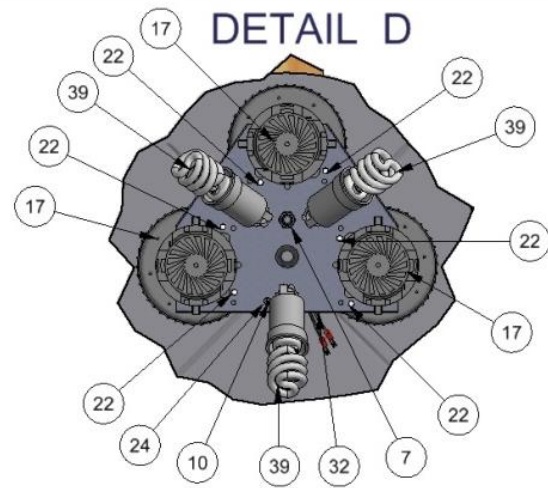


C					7890	REMOVED 8424-1 AND ADDED 8427-1	11-22-16	CK	TITLE VAC, 2DR, 3 MOTOR COMMERCIAL, LD			
B					7727	REMOVED 5920, 8221WH3, 8828	4-5-16	CK	UNSPECIFIED TOLERANCES	MATERIAL		
A					6486	REVISED AND DRAWN TO INVENTOR; NO PREVIOUS DRAWING	4-29-11	CK	1 PL ±.030	SCALE		
REV					NO.	DESCRIPTION	DATE	BY	2 PL ±.010	DRAWN BY CHAD K.		
THIS DOCUMENT SHALL NOT BE REPRODUCED NOR SHALL THE INFORMATION THEREIN BE USED BY OR DISCLOSED TO OTHERS EXCEPT AS AUTHORIZED BY J.E. ADAMS INDUSTRIES									3 PL ±.003	DATE 4/29/2011	PART NO. 9235-3LD	REV. C
									ANGLE ±1.0°			

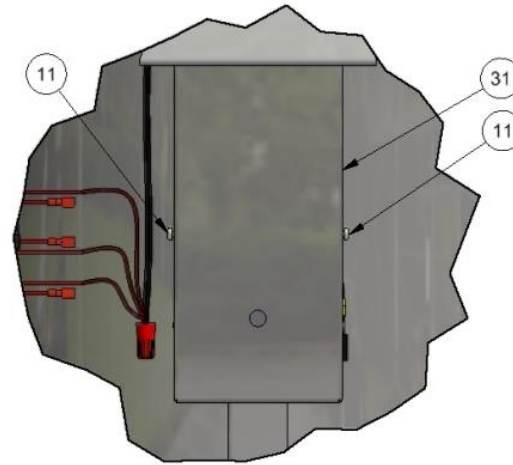
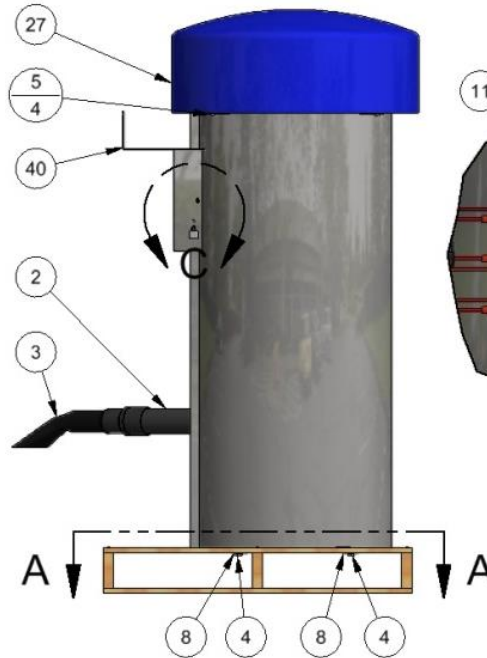
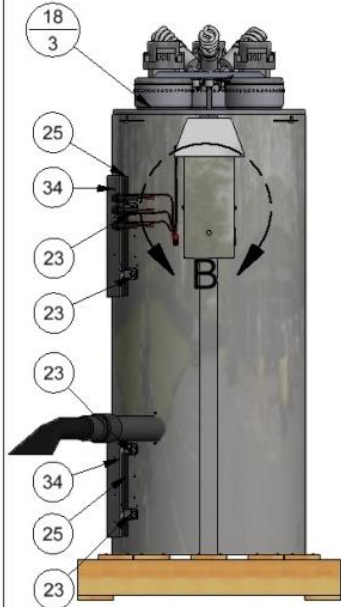
PART NO. 9235-3LD



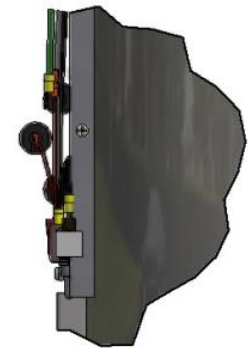
SECTION A-A



DETAIL D



DETAIL B



DETAIL C

TITLE VAC, 2DR, 3 MOTOR COMMERCIAL, LD

UNSPECIFIED TOLERANCES

1 PL ±.030
2 PL ±.010
3 PL ±.003
ANGLE ±1.0°

MATERIAL

SCALE

DRAWN BY CHAD K.

DATE 4/29/2011



CEDAR RAPIDS, IOWA

PART NO. 9235-3LD REV. C

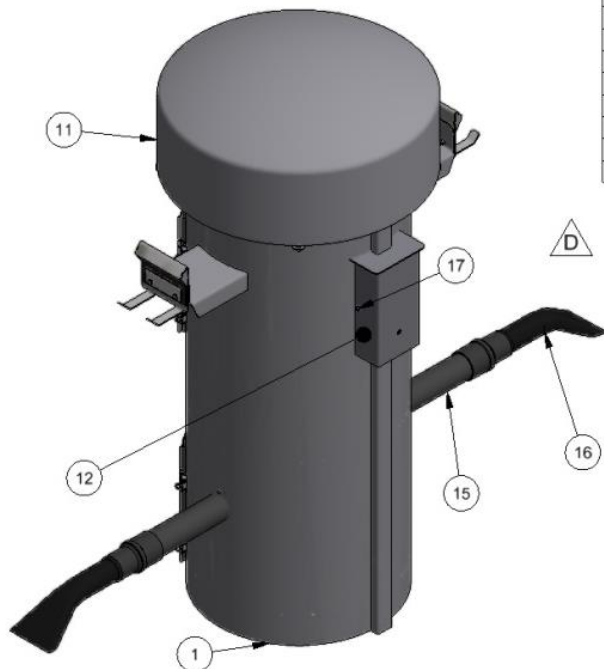
REV	NO.	DESCRIPTION	DATE	BY
-----	-----	-------------	------	----

THIS DOCUMENT SHALL NOT BE REPRODUCED NOR SHALL THE INFORMATION THEREIN BE USED BY OR DISCLOSED TO OTHERS EXCEPT AS AUTHORIZED BY J.E. ADAMS INDUSTRIES

PART NO. **9235-3DH**

NOTES:

1. PACKAGE CLAW HANGER AND NOTED COMPONENTS ASSEMBLED AS A UNIT BUT UNATTACHED TO PROTECT FROM SHIPPING DAMAGE.

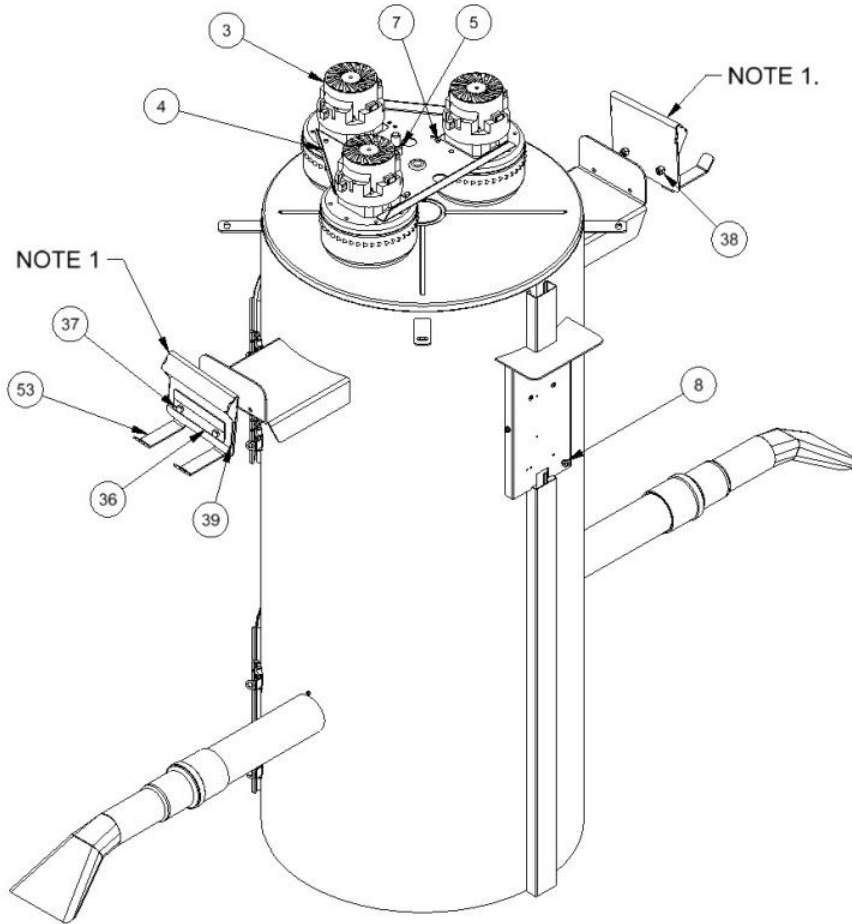


THIS MODEL IS A SPECIAL "DUAL HOSE" UNIT BASED ON JE ADAMS MODEL 9235-3. NOTE: HOSES HAVE LIMITED SHUTOFFS BUT MOST AIR FLOW IS OBSTRUCTED WHILE HOSES HANG IN HOLDERS.

BILL OF MATERIALS				BILL OF MATERIALS			
ITEM	PART NUMBER	DESCRIPTION	QTY	ITEM	PART NUMBER	DESCRIPTION	QTY
30	8597	WASHER, 5/16 SAE FLAT ZP	3	1	9236-3W-DH	3 MOTOR VAC CANISTER W/C	1
31	8598	WASHER, 5/16 LOCK ZP	3	2	8057	MOTOR GASKET	3
32	8732	NAME PLATE, PRODUCT SPEC	1	3	8055EM	MOTOR, ELECTRO 120V	3
33	8437D001	DECAL - ETL LISTED ANSI/UL	1	4	8051-3M	3 MOTOR BRACKET	1
34	5871B8	PLUG, RECESSED	8	5	5603D11	1/2 Std NF Nylock Nut	1
35	6082	BAG 9 X 12	1	6	8076	FILTER BAG	4
36	2058-14	PLATE, RUBBER SUPPORT, VAC	2	7	8108	#10 x 1/2 TAP SCREW	6
37	5601D4	1/4-20 x 3/4 HHCS-SS	4	8	5611D2	NUT, 10-24 UNC KEPP- ZINC	1
38	5603D2	1/4 Std NC Nylock Nut	4	9	5639D4	RUBBER GROMMET	1
39	2058-3	RUBBER PAD, HOSE HANGER	2	10	5627D2	6-32 x .63 PD, PH, MS	2
40	8427-1	DECAL, VACUUM	2	11	8305	ASSEMBLED SS DOME	1
41	8423-2	DECAL, VACUUM DOME	1	12	8505-1	COVER, CONTROL PLATE	1
42	8673-10-3	WIRING ASSY	1	15	2036	HOSE, 2" X 15' BLACK VACUUM	2
46	5901D2	WIRE NUT, RED	2	16	2058	CLAW/CUFF ASSEMBLY, 2"	2
47		PACKAGING		17	5636D1	#10-24 PHIL. PAN HEAD SCREW	1
48	5600D4	BOLT HHEAD 3/8-16 X 1-1/2	4	18	8159	DOOR GASKET	2
49	5606D22	FENDER WASHER, 3/8	8	19	8615-5W	CLEANOUT DOOR WELDMENT	2
50	B5722-002	NUT, HEX LOCKNUT	4	20	8153-1	LATCH, CLEANOUT DOOR	4
51	8939	PALLET	1	21	8081	CABLE TIE MOUNT	1
52	8631	11 X 55 PAD	1	22	8084	CABLE TIE NYLON	3
53	2058-13W	CLAW HANGER, 1.5-2" UNIVERSAL WMT	2	23	8100N002	INS TAG, YELLOW REMOVE	1
				24	5647D2	RIVET - 1/8 SS POP	16
				25	5647D8	RIVET - 3/16 SS POP	14
				26	8183	DECAL, WARNING ENGLISH/FRENCH	1
				27	8754	DECAL, DANGER ENG/FR/SPAN	1
				28	8595	HHCS 5/16 X 1-1/2 ZP	3
				29	8596	NUT, 5/16-18 HEX ZP	3


E	7727	REMOVED 8828, 5920, 8055LEAD-EM, B5996-010, B5997-001	4-5-16	CK
D	7374	ADD ITEM 53, NOTE 1, ITEM 36 WAS 9280F22.	12/22/14	MWS
C	5541	CHANGE TO LARGER PALLET 8939, WAS 8605	020910	JF
B	5293	ADJUST BILL FOR NEW WIRING HARNESS WITH SWITCH	100709	JF
A	5047	ADD HARDWARE, REMOVE RELAY BRKT HRDWARE, REVISE DESC.	040109	JF
REV	NO.	DESCRIPTION	DATE	BY
THIS DOCUMENT SHALL NOT BE REPRODUCED NOR SHALL THE INFORMATION THEREIN BE USED BY OR DISCLOSED TO OTHERS EXCEPT AS AUTHORIZED BY J.E. ADAMS INDUSTRIES				

TITLE				
COMMERCIAL VAC - 3 MOTOR, 2 DOOR				
UNSPECIFIED TOLERANCES	MATERIAL	CEDAR RAPIDS, IOWA		
1 PL ±.030	SCALE			
2 PL ±.010	DRAWN BY			JOHN F.
3 PL ±.003	DATE			10/16/2008
ANGLE ±1.0°	PART NO.	9235-3DH	REV. E	



9235-3DH
SCALE .1

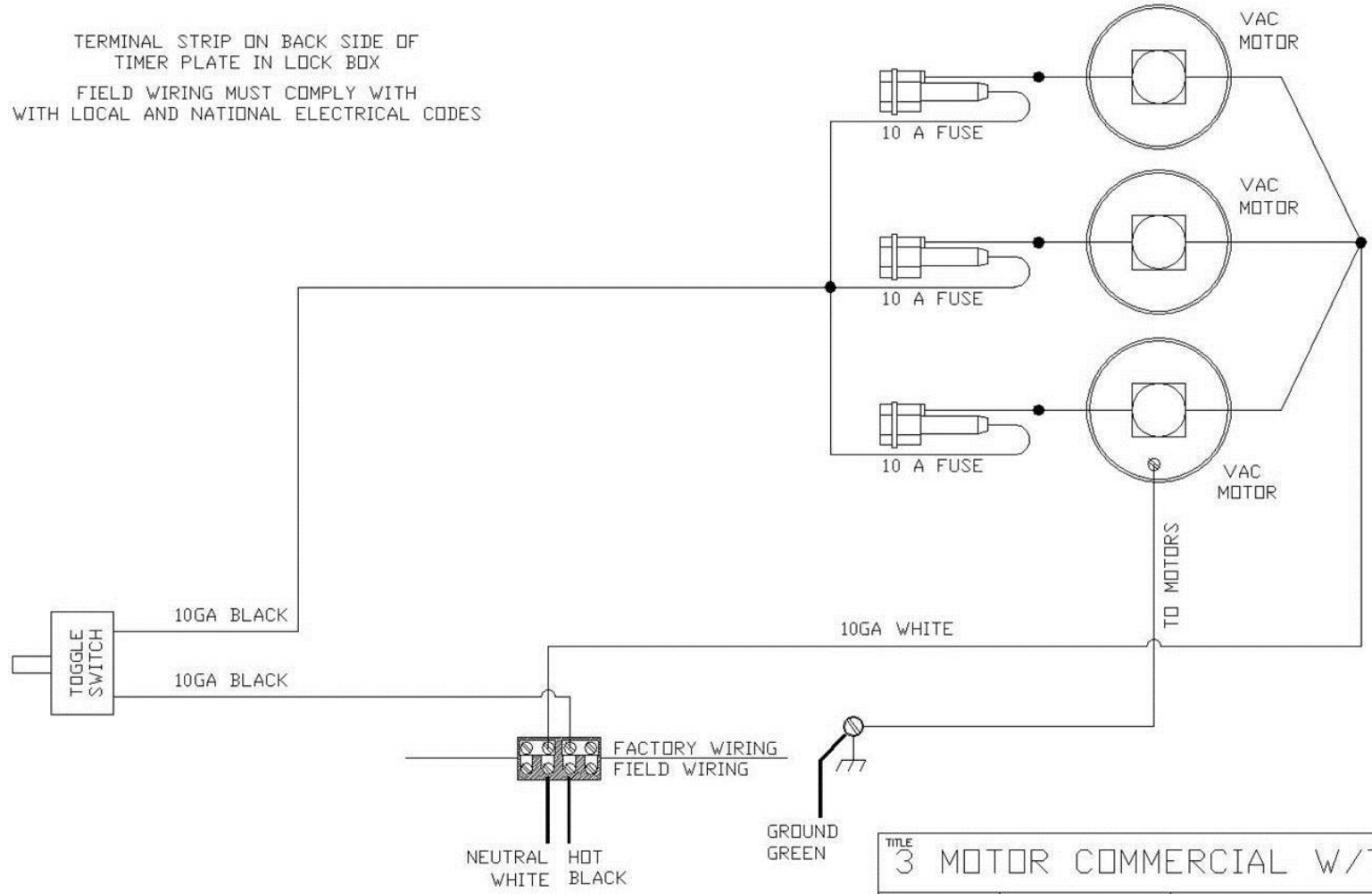
TITLE
COMMERCIAL VAC - 3 MOTOR, 2 DOOR

UNSPECIFIED TOLERANCES 1 PL ±.030 2 PL ±.010 3 PL ±.003 ANGLE ±1.0°	MATERIAL	 CEDAR RAPIDS, IOWA
	SCALE	
	DRAWN BY JOHN F. DATE 10/16/2008	PART NO. 9235-3DH

REV	NO.	DESCRIPTION	DATE	BY
THIS DOCUMENT SHALL NOT BE REPRODUCED NOR SHALL THE INFORMATION THEREIN BE USED BY OR DISCLOSED TO OTHERS EXCEPT AS AUTHORIZED BY J.E. ADAMS INDUSTRIES				


ITEM NO.	PART NO.	DESCRIPTION	QTY.
----------	----------	-------------	------

TERMINAL STRIP ON BACK SIDE OF
TIMER PLATE IN LOCK BOX
FIELD WIRING MUST COMPLY WITH
WITH LOCAL AND NATIONAL ELECTRICAL CODES



120V with toggle

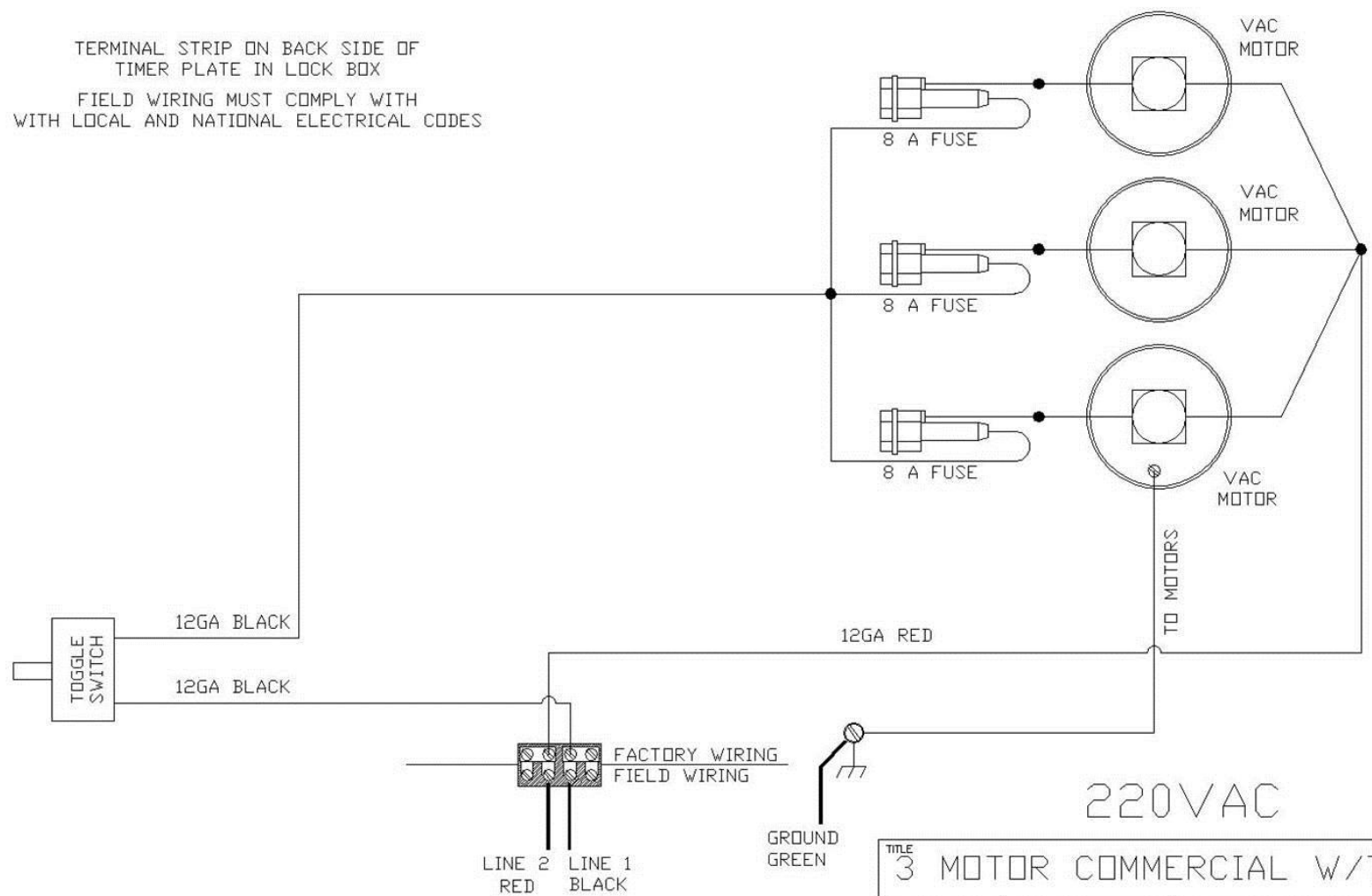
TITLE 3 MOTOR COMMERCIAL W/TOGGLE

UNSPECIFIED TOLERANCES	SCALE		REV.
FRACT. ±1/32	DRAWN BY JF		PART NO. 3 MOTOR SERIES
2 PL ±.020	DATE 7/25/11		
3 PL ±.010	REL. FOR PROD. -		
ANGLE ±1.0°			

REV	NO.	DESCRIPTION	DATE	BY
-----	-----	-------------	------	----


BILL OF MATERIAL			
ITEM NO.	PART NO.	DESCRIPTION	QTY.

TERMINAL STRIP ON BACK SIDE OF
 TIMER PLATE IN LOCK BOX
 FIELD WIRING MUST COMPLY WITH
 WITH LOCAL AND NATIONAL ELECTRICAL CODES



220V with toggle

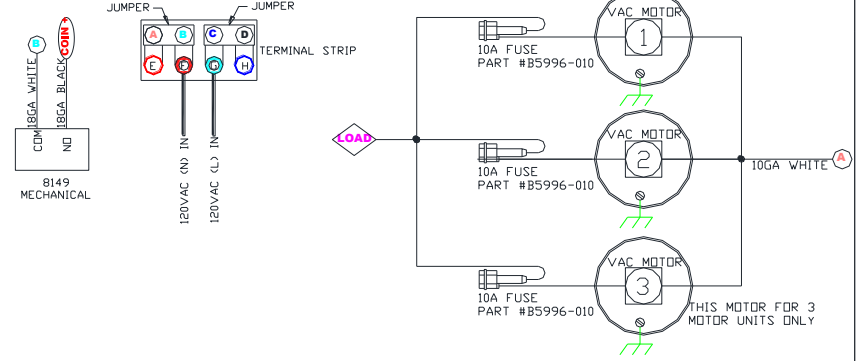
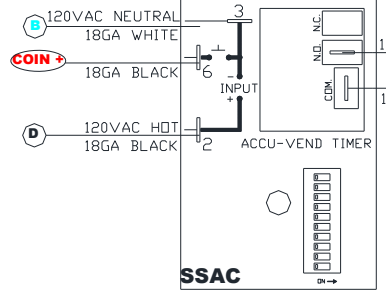
TITLE
 3 MOTOR COMMERCIAL W/TOGGLE

UNSPECIFIED TOLERANCES	SCALE	 CEDAR RAPIDS, IOWA
FRACT. ± 1/32	DRAWN BY JF	
2 PL ± 0.020	DATE 7/25/11	PART NO. 3 MOTOR SERIES REV.
3 PL ± 0.010	REL. FOR PROD. -	
ANGLE ± 1.0°		

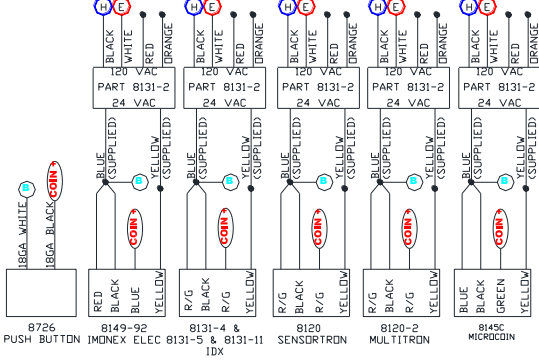
REV	NO.	DESCRIPTION	DATE	BY
-----	-----	-------------	------	----

8221SS4

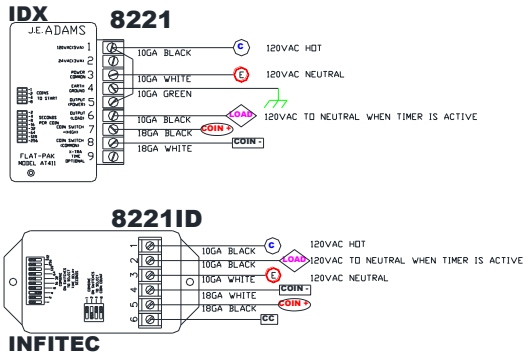
VACUUM STANDARD



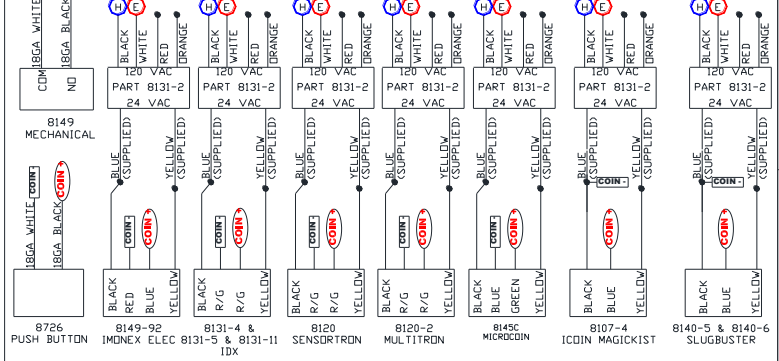
COIN ACCEPTORS SSAC



OPTIONAL TIMERS



COIN ACCEPTORS IDX & INFITEC

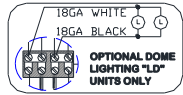


IMPORTANT INFORMATION

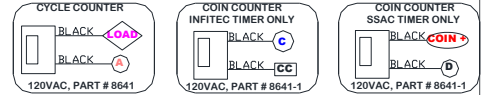
!! IMPORTANT !!
 TERMINAL STRIP IS ON BACK SIDE OF TIMER PLATE IN LOCK BOX. FIELD WIRING MUST COMPLY WITH LOCAL AND NATIONAL ELECTRICAL CODES.
20AMP SERVICE IS REQUIRED FOR 2 MOTOR UNIT

!! IMPORTANT !!
 TERMINAL STRIP IS ON BACK SIDE OF TIMER PLATE IN LOCK BOX. FIELD WIRING MUST COMPLY WITH LOCAL AND NATIONAL ELECTRICAL CODES.
30AMP SERVICE IS REQUIRED FOR 3 MOTOR UNIT

LIGHTED DOME



OPTIONAL COUNTERS

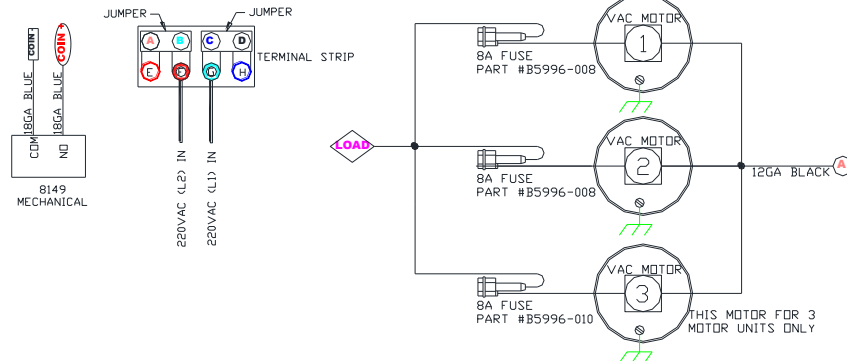
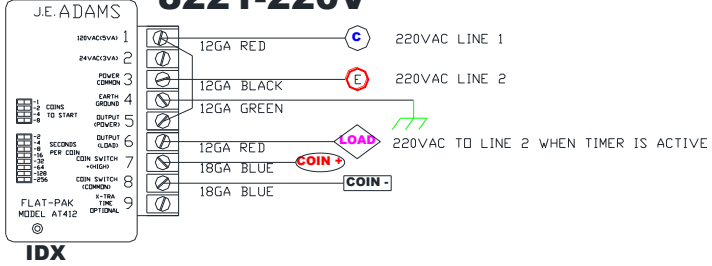


THIS DOCUMENT SHALL NOT BE REPRODUCED NOR SHALL THE INFORMATION THEREIN BE USED BY OR DISCLOSED TO OTHERS EXCEPT AS AUTHORIZED BY J.E. ADAMS INDUSTRIES				PART NO. VACUUM 120V	CEDAR RAPIDS, IOWA	UNSPECIFIED TOLERANCES 1 PL ±.030 2 PL ±.010 3 PL ±.003 ANGLE ±1.0°	TITLE VACUUM 120V
A 7689 SPLIT COIN ACCEPTOR FOR USE WITH SSAC OR IDX & INFITEC	2-23-16 CK	DATE BY	DRAWN BY CHAD K. DATE 12/16/15 SCALE NONE REL. FOR PROD.	MATERIAL - PART NO. VACUUM 120V	REV. LEVEL A		

PART NO. **VACUUM 220V**

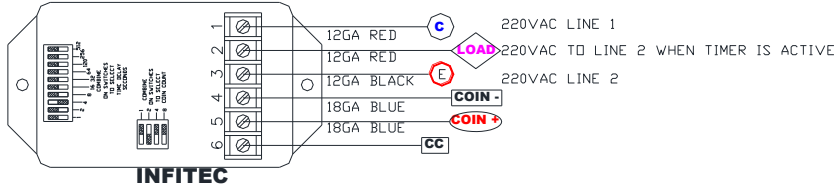
VACUUM STANDARD

8221-220V

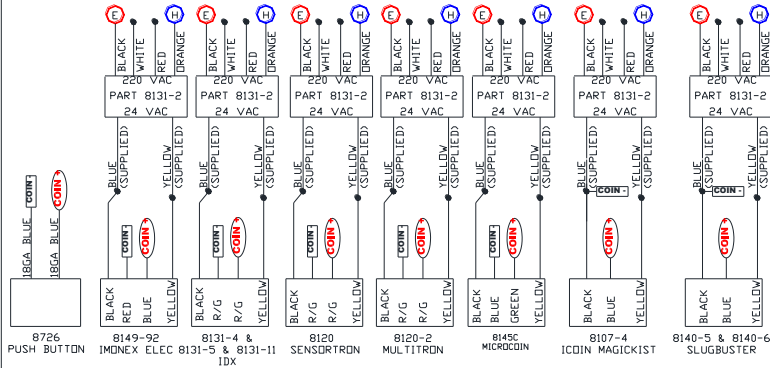


OPTIONAL TIMERS

8221I-220



COIN ACCEPTORS IDX & INFITEC

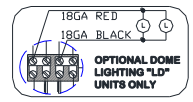


IMPORTANT INFORMATION

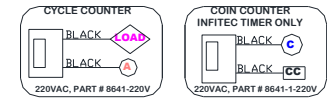
!! IMPORTANT !!
 TERMINAL STRIP IS ON BACK SIDE OF TIMER PLATE IN LOCK BOX. FIELD WIRING MUST COMPLY WITH LOCAL AND NATIONAL ELECTRICAL CODES
15AMP SERVICE IS REQUIRED FOR 2 MOTOR UNIT

!! IMPORTANT !!
 TERMINAL STRIP IS ON BACK SIDE OF TIMER PLATE IN LOCK BOX. FIELD WIRING MUST COMPLY WITH LOCAL AND NATIONAL ELECTRICAL CODES
20AMP SERVICE IS REQUIRED FOR 3 MOTOR UNIT

LIGHTED DOME



OPTIONAL COUNTERS



THIS DOCUMENT SHALL NOT BE REPRODUCED NOR SHALL THE INFORMATION THEREIN BE USED BY OR DISCLOSED TO OTHERS EXCEPT AS AUTHORIZED BY J.E. ADAMS INDUSTRIES

PART NO. **VACUUM 220V**



CEDAR RAPIDS, IOWA

UNSPECIFIED TOLERANCES

- 1 PL ±.030
- 2 PL ±.010
- 3 PL ±.003
- ANGLE 1:10°

TITLE		VACUUM 220V		
DRAWN BY	DATE	SCALE	REL. FOR PROD.	
CHAD K.	3-7-16	NONE		
MATERIAL	PART NO.	VACUUM 220V		
-				

REV	NO.	DESCRIPTION	DATE	BY